

Commercial Cleaning Robot **PRODUCT MANUAL**

--P1-P15

English

全自動スピーディ床清掃・洗浄ロボット **取扱説明書**

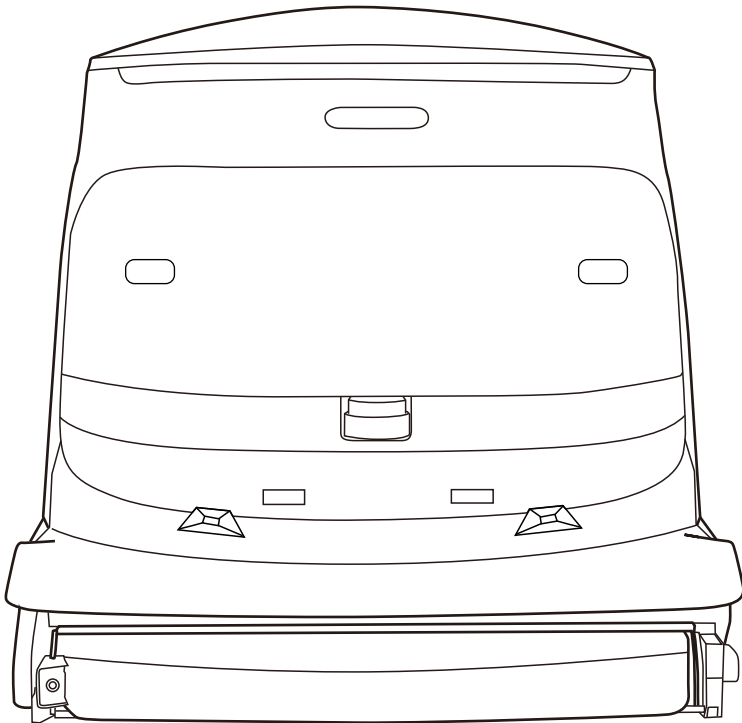
--P16-P30

日本語

全能速净智能清洁机器人 **日常维护操作说明书**

--P31-P44

中文



Read this manual before using the product. Keep this manual properly for future reference.

ご使用前に、この取扱説明書をよくお読みいただき、大切に保管してください。

本製品の使用方法と性能をご理解の前には、本製品を操作しないでください。

使用前请仔细阅读本使用说明书, 并妥善保管。在了解本产品的使用 and 性能之前, 请勿操作机器人。

Contents

English

Product Overview	1
Names of parts	2
Specifications	3
Cleaning Modes	4
What's in the Box?	5
Maintenance	6
Safety Warnings	10
About Safety Warnings	10
Description of Symblos & Pictorial Indication	10
Safety Instructions Before Use	11
Handling the Robot	12
Handling the Battery and the Charging Dock	14
Disposal	15

Introduction

This manual is designed to help owners and operators understand the basic instructions in order to operate and maintain the robot.

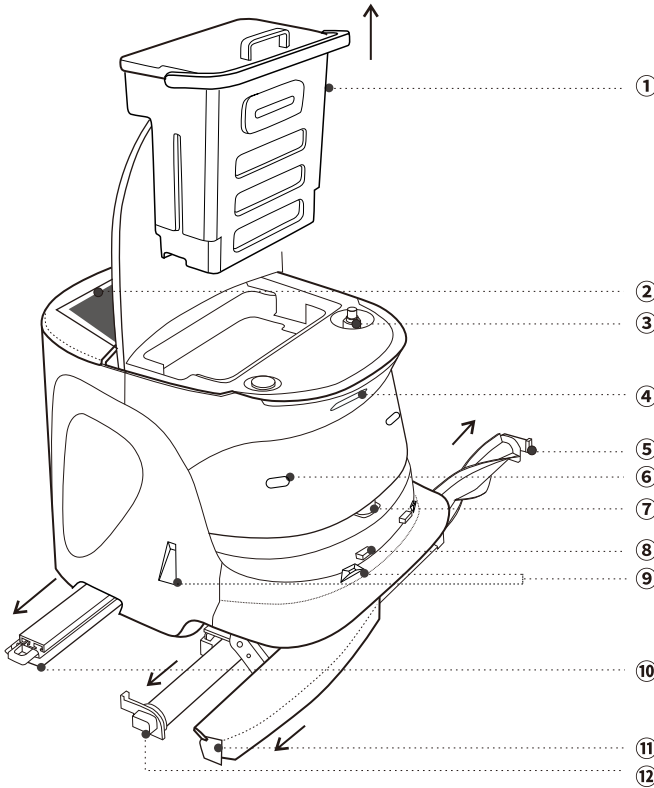
Improper use of this product may cause serious injury to yourself or others, or cause product damage and property loss. Once you use this product, it is deemed that you understand, approve and accept all the terms and content in this document.

If you encounter any problems during use, please contact our after-sales customer service for support. The pictures and illustrations in this manual are for reference only. If you have any questions, please feel free to contact us.

We hope that our product can bring you a better cleaning experience.

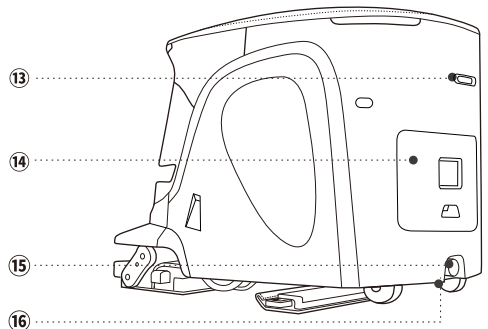
1/Product Overview

1-1 Names of parts



- Waste Water Tank ①
- Touch Screen ②
- Clean Water Inlet ③
- Stereo Camera ④
- Sweeper Brush ⑤
- Ultrasonic Sensors ⑥
- LiDAR Sensor ⑦
- Charging Contacts ⑧
- Line Lasers ⑨
- Mop Pad ⑩
- Debris Tray ⑪
- Scrubber Brush ⑫

- ⑬ SIM & TF Card Slot
- ⑭ Maintenance Panel
- ⑮ Emergency Stop
- ⑯ Power Switch



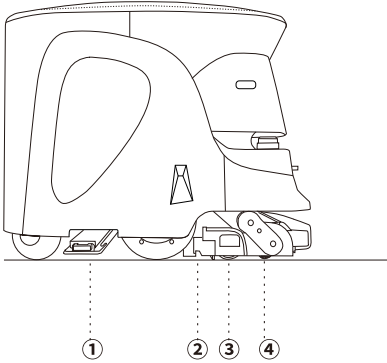
1-2 Specifications

MODEL		Commercial Cleaning Robot
DIMENSION		650mm*580mm*550mm (L*W*H)
WEIGHT		70kg
WORK MODE		Auto planning
Cleaning System	Cleaning Mode	Scrub, Dust Mop, Sweep & Mop, Sweep & Vacuum, ^[1] Sweep, Vacuum & Mop ^[1]
	Cleaning Speed	Scrub:1200m ² /h Dust Mop:1800m ² /h
	Vacuum Suction Force	15Kpa
	Cleaning Width	Scrub:520mm Dust Mop:580mm
	Edge Cleaning Capability ^[2]	10cm
	Clean Water Tank	22L
	Waste Water Tank	15L
Appearance	Material	PC+ABS
	Color	Black & Silver, Orange & Silver
	IP Code	IP43
Screen Specs	Screen Size	10.1inch
	Resolution	1920*1200
Wireless Communication	4G	LTE cat4
	WiFi	802.11b/g/n/ac
Movement System	Gradeability	8°
	Min. Passable Width ^[2]	800mm
	Average Speed	0.8m/s
	Max. Cleaning Speed	1.2m/s
	Applicable Floor Type	Ceramic tile, Marble, Hardwood, PVC, Mixed Floor, Rubber, Low Pile Carpet(≤5.5mm)
HEPA Filter	HEPA	H13(99.97%)
Electrical System	Battery	Rated voltage 25.6V
		Runtime: Scrub 4h, Dust Mop 8h
	Charger	Metal contacts, auto recharging
		110-240V AC
	Charging Time	2-3 hours
Noise Level	Scrub:60dB Dust Mop:45dB	
LiDARs	Distance	0.02m ~ 30m
Path Planning	Cleaning Path	Zigzag / Spiral
	Working Mode	Auto navigation
	Obstacle Avoidance	Detection range: 0.02m-30m
Working Condition		Temperature 0~40°C, Humidity 5%~85% RH

[1] This feature will be implemented in a future OTA update. [2] Subject to different cleaning modes.

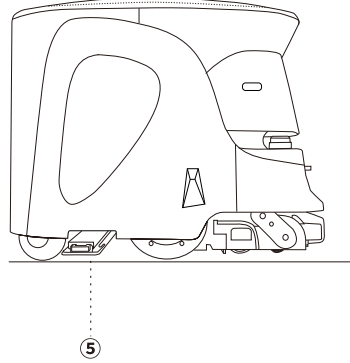
1-3 Cleaning Modes

1. Standard & Strong Mode



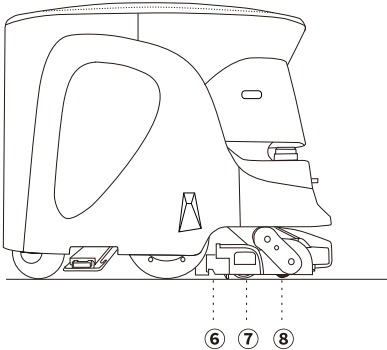
- ① Mop Pad
- ② Vacuum
- ③ Microfiber Roller Brush
- ④ Nylon Roller Brush

2. Dust Mop



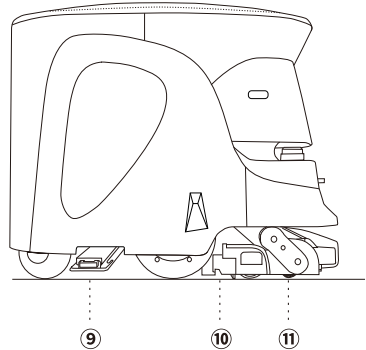
- ⑤ Mop Pad

3. Standard & Quiet Mode




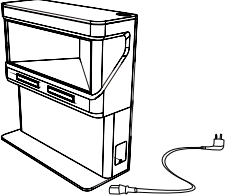
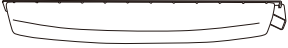


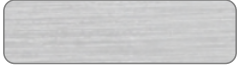
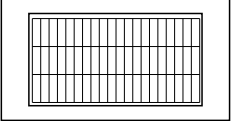
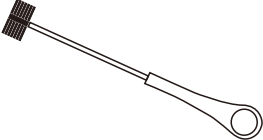
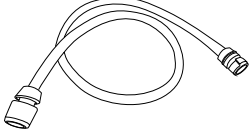
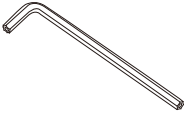

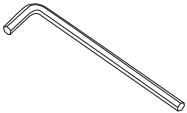
- ⑥ Vacuum
- ⑦ Microfiber Roller Brush
- ⑧ Nylon Roller Brush

4. Vacuum & Mop



- ⑨ Mop Pad
- ⑩ Vacuum
- ⑪ Nylon Roller Brush

2/ What's in the Box?

Commercial Cleaning Robot*1	Charging Dock*1	Debris Tray*1
		
Nylon Roller Brush * 1	Microfiber Roller Brush*1	Mop Pad *5
		
HEPA Filter * 2	Cleaning Brush *2	Water Hose*1
		
Star Hex Key*1	Torx Screw *5	Hex Key*1
		

The accessories included in the package may vary depending on the region and order. Below illustrations are for reference only.

3/Maintenance

Please make sure to lower the cleaning module before performing maintenance operations.

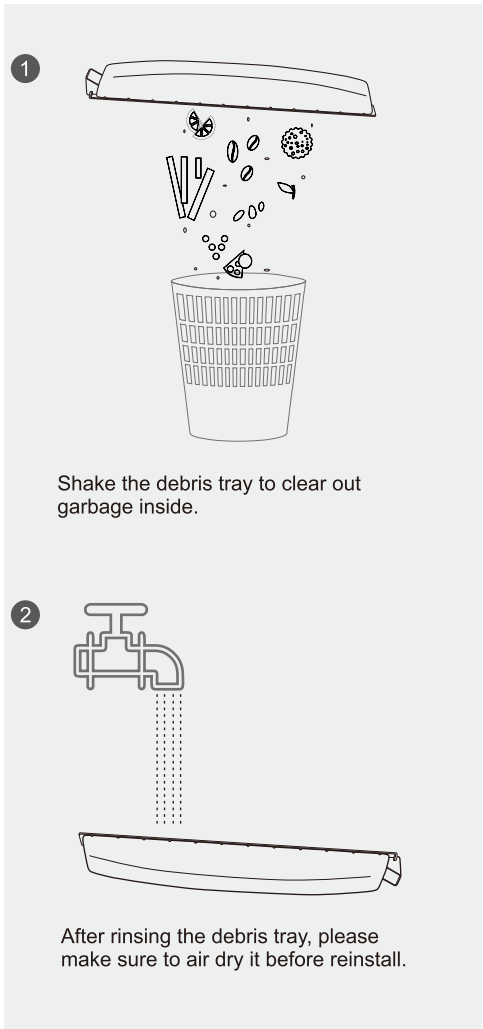
1.Mop Pad

Replace the mop pad based on usage. On average, the mop pad needs replacing after every dusting task of 500 square meters of space.



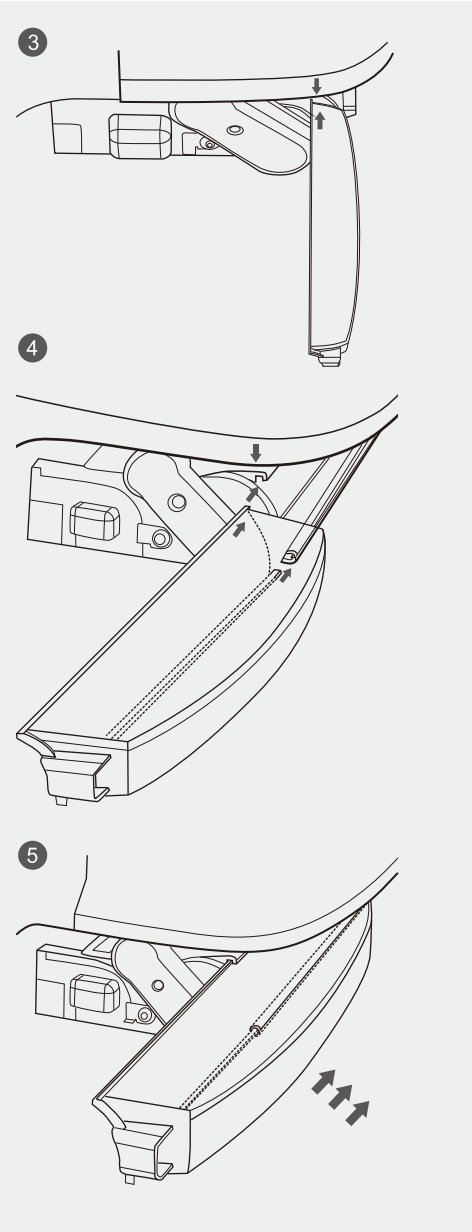
2.Debris Tray

Debris tray should be cleaned when it's full. Check the Debris tray on a regular basis.



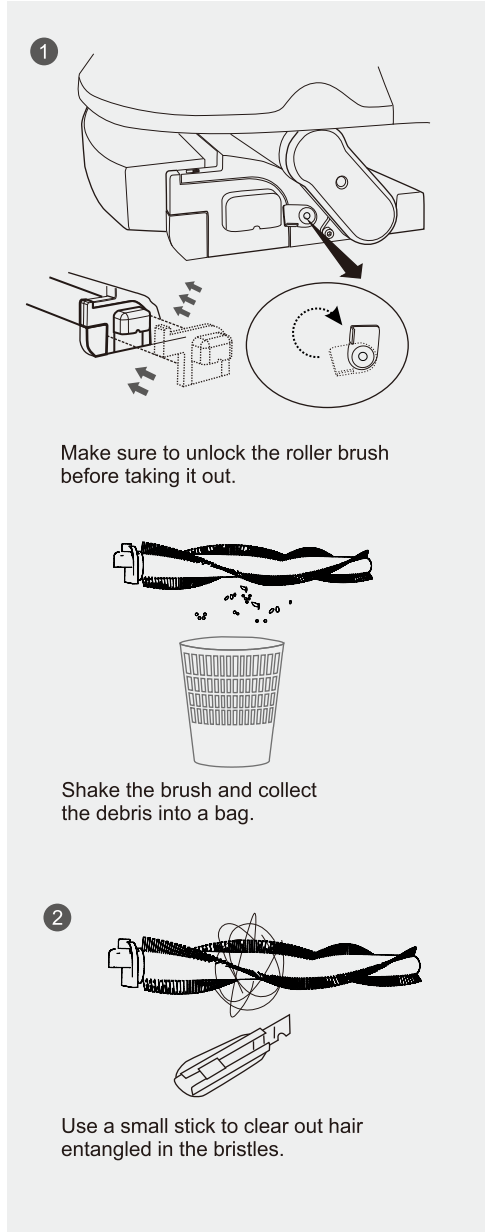
Please follow the instructions below to install the debris tray.

NOTE: When encountering any clogages during installation, DO NOT push the tray by force, which may lead to permanent damage.

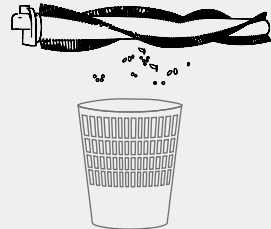


3. Nylon Roller Brush

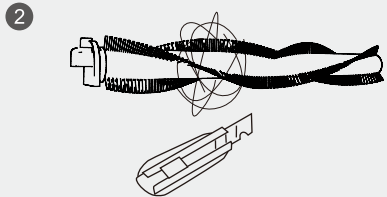
Nylon roller brush should be cleaned and maintained on a regular basis.



Make sure to unlock the roller brush before taking it out.



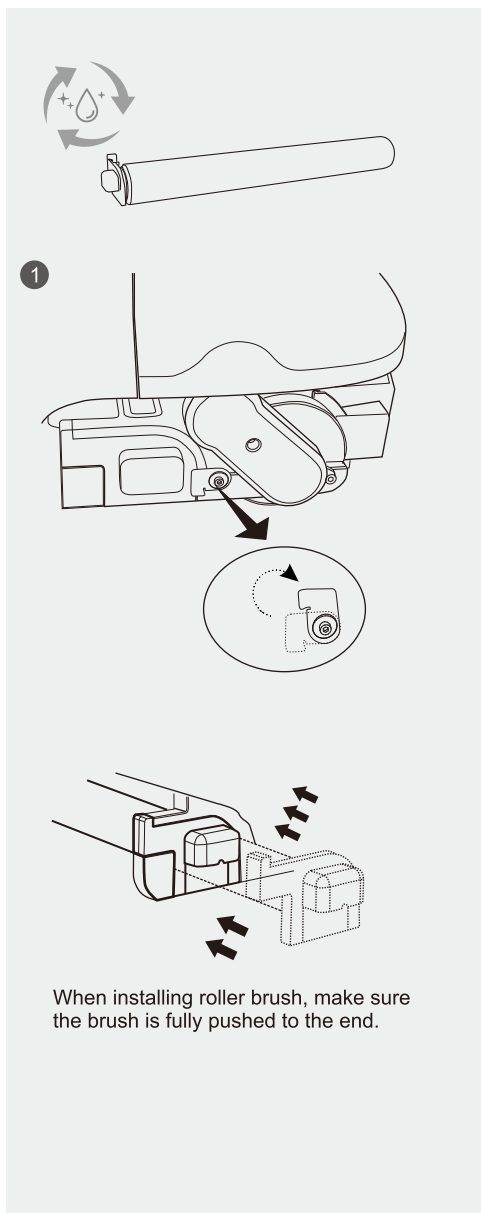
Shake the brush and collect the debris into a bag.



Use a small stick to clear out hair entangled in the bristles.

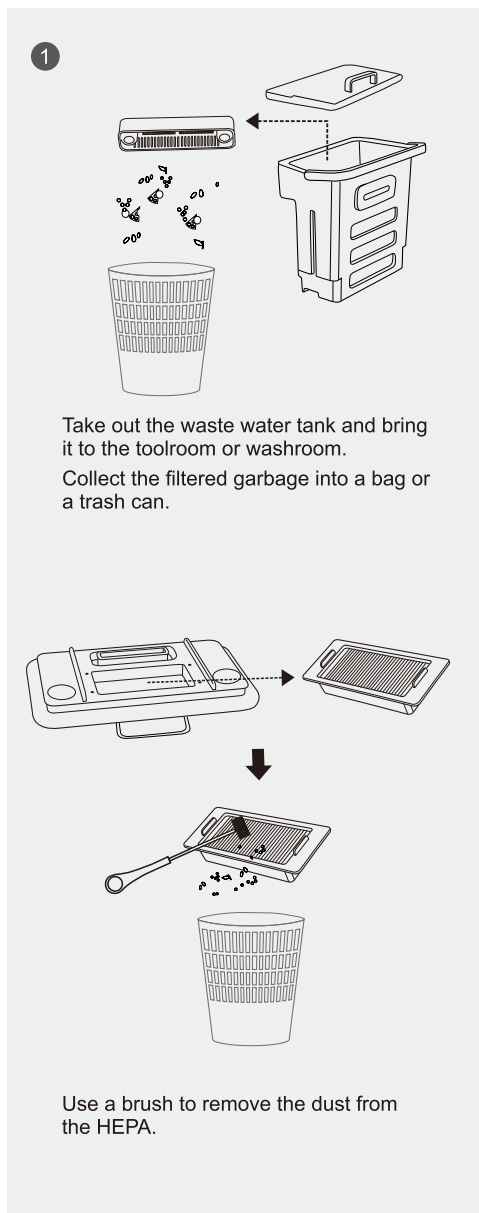
4. Microfiber Roller Brush

Microfiber roller brush constantly self cleans when it's working. It does not need frequent maintenance.

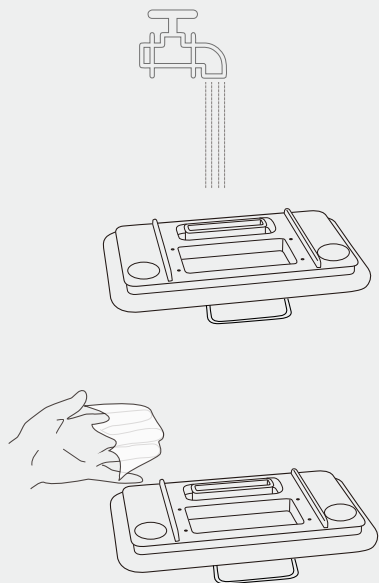


5. Waste water tank

The waste water tank should be cleaned after every 2-3 hours of continuous cleaning on scrubbing mode.

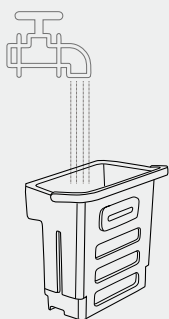


2

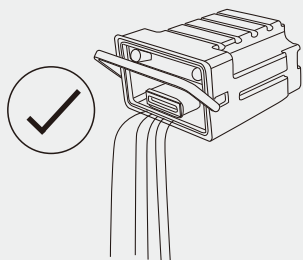
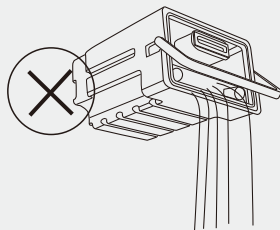


The lid can be rinsed with water, but must be dried before putting it back on the tank.

3



Pour out the waste water and rinse the tank with clean water.



Please follow the above instructions for handling of the water tank. Pouring water from the opposite side may result in spillages from the vents.

4/ Safety Warnings

4-1 About Safety Warnings

IMPORTANT SAFETY INFORMATION: READ AND UNDERSTAND THESE SAFETY WARNINGS AND ALL INSTRUCTIONS PRIOR TO UNPACKING AND USING THE MACHINE.

Warnings presented here are intended to warn the user of potential harm to the user and other people as well as damage to property. Always adhere to them to reduce the potential for harm. This manual also provides safety warnings, correct handling procedures, and other regulatory information for using the machine, battery, and battery charger. The warnings provided in this manual do not cover all possible situations that may arise. The safety of pedestrians and people in the surroundings will be the first priority in any circumstances (such as when the machine does not operate properly, when the machine has tripped over, etc.).

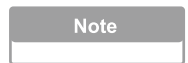
Always adhere to warnings regarding machine installation, maintenance, and use and store this manual where it can always be referred to operators are advised to take normal health and safety precautions suitable for their environment.

In the following emergencies, immediately press the emergency stop button and turn off the main power switch.

- The machine is in a hazardous state (example: emitting smoke, is inoperable, has fallen over, etc.)
- The machine comes close to inflicting harm on surrounding people or things.
- The machine is operating (behaving) unpredictably or is operating in a manner that is inconsistent with this manual.

4-2 Description of Symbols & Pictorial Indication

The following symbol categories explain the level of harm or damage that can occur if warnings are not observed and the machine or related equipment is used incorrectly. Please be sure you understand these symbols and their correlating meanings before reading the remainder of this manual.



4-3 Safety Instructions Before Use

The product is a commercial cleaning robot intended for indoor environments. Please read and follow the instructions below carefully.

Warning

- Do not use the robot immediately after extreme temperature changes (e.g., moving from a cold outdoor environment to a warm indoor environment).
- Do not use the robot in an environment where there are excessive dust, moisture, rain, dirt, or near magnetic fields.
- Do not use the robot during thunderstorms or on days with lightning.
- Do not use the robot in environments that are flammable, explosive, or near heat sources.

Caution

- Avoid exposing the robot to direct sunlight for a long period of time.
- Avoid using the robot in places surrounded by glass doors, glass walls, and glass floors.
- Avoid using the robot in very narrow spaces (the robot is capable of autonomously avoiding tables and chairs with a height of 0.6~0.8m).
- Avoid using the robot in places with low-hanging objects or decorations (the objects or decorations should be higher than the robot height >500mm).
- Avoid using the robot in places where there are loose cables and hoses.
- Avoid using the robot in places with stairs, steps, or anywhere with a height difference >5cm.
- Avoid using the robot during busy hours.
- Avoid running the robot in excessively narrow passages.
- Do not start the robot when it is too close to obstacles. Make sure to keep an open space within a radius of 2m for robot movement.
- This cleaning robot is suitable for cleaning the following floor types: epoxy flooring, ceramic tiles, marble, and hardwood.
- This cleaning robot is not suitable for cleaning the following types of debris: tiny particles and fine dust; debris higher than 2cm; soft hoses or loose wires. Forcibly cleaning these types of debris may damage the robot.

Note

- Use and store the robot within the temperature range of 5°C~40°C and the humidity range of 5~85%RH.

- Use the robot on smooth and flat surfaces. It is not recommended to use the robot on carpets, soft or uneven surfaces, or outdoors, as it may reduce the robot's life and cause damage to the robot.
- Please be aware of areas with stairs or steps, and refrain from using the robot in these areas to prevent it from falling or dropping.
- If the robot is being used in an environment with glass surroundings, it is important to place visible and recognizable safety signs on the ground, positioned 22cm-25cm away from the glass.

4-4 Handling the Robot

Warning

- Do not allow liquid or quasi-liquid substances or any foreign objects to touch the charging terminals or external connection terminals of the robot.
- Be careful that dust does not adhere to the LIDAR sensor, camera, or other sensors. Do not cover the robot's sensors.
- When using autonomous cleaning mode, make sure that the operator is able to respond immediately to an alert received from a special app.
- Use the robot with its wheels always in contact with the floor. When using the robot in manual cleaning mode, avoid abrupt operation except where unavoidable.
- In areas where the robot is inoperable or unmovable due to power not turning on, move the robot to a safer location.
- Do not perform any operation not given in this manual.
- Do not use the robot with the grounding chain not in contact with the floor. If the grounding chain breaks or comes off, contact customer support.
- Recharge the battery for the robot using only the battery charger that came with the robot.
- Do not place anything decorative that may hinder the robot's operation or the emergency stop button.
- When replacing the roller brush, mop pad, or emptying the debris tray, please lower the cleaning module before proceeding with the operation.
- Before starting the cleaning task, ensure that the HEPA filter is correctly installed to prevent dust contamination and damage to the internal components.
- Do not clean the robot with a high-pressure cleaner.
- The robot is designed to clean indoor carpets and dry floors. Do not use it for any other purpose.
- Do not use the robot to collect hazardous or explosive waste.
- Do not block the robot's vents.
- When lifting the robot from the floor, always use two people as a safety precaution.

- When the robot is operating, do not let infants, children, and pets come near the robot, or move foot or hand close to the bottom of the robot. Manage so that infants, children, or pets do not touch the robot.
- Do not tilt or transport the robot when there is water in the water tank.
- Do not apply excessive pressure on the screen or any surface of the robot to avoid causing damage.
- Do not drop, fall, compress, bend, poke, cut, microwave, burn, or paint the robot.
- Do not move the robot on a slope to prevent it from tripping and causing harm or damage.

Caution

- This robot is for indoor use only.
- This robot shall be stored indoors only.
- For lifting and long-distance transport, the machine must be shut down. Moving or lifting the machine in an emergency stop state may cause it to lose its position. Before restarting the task, use Reposition feature to re-establish the position.
- Do not attempt to disassemble the robot. Only authorized professionals are permitted to perform disassembly.
- If the cleaning module becomes clogged or entangled with garbage, make sure to perform the cleaning operation under the guidance of a professional. Do not forcefully pull or tug on the cleaning module to avoid any damage.
- To ensure the reliability and safety of the product, please use only authorized accessories.
- This appliance is not intended for use by persons (including children) with reduced physical, sensory or mental capabilities, or lack of experience and knowledge.
- If the robot has fallen over, press the emergency stop button and then turn off the main power switch on the robot.
- Do not insert any objects in the robot.
- When using a hose to fill up the clean water tank, please note that the water pressure requirement is 0.05MPa (min.) and 0.8MPa (max.).
- Use room temperature water not higher than 60°C for cleaning.
- If the robot is not operating normally (unusual sound, odor, smoke, etc.), immediately press the emergency stop button, to stop robot operation, turn off the main power switch, and contact customer support.

4-5 Handling the Battery and the Charging Dock

Danger

- Before using the Charging Dock, make sure that you fully understand the contents of this manual, and operate it correctly.
- Do not place objects on top of the battery.
- Do not smoke in the vicinity of the battery or place objects near it that may be the cause of flames or sparks.
- Do not connect the battery terminals with metal, etc.
- If fluid leaks, do not touch with bare hands.
- Use the battery only in the robot.
- Do not subject to impact, such as by placing objects on it or letting it fall.
- Do not touch the charging contacts and the robot while charging to avoid electric shocks.

Warning

- Ensure that the charging dock is deployed on a flat surface without any unevenness or slopes.
- Ensure that the charging dock is not deployed in a dark and damp area. Excessively moist environments may cause damage to the internal circuits or electronic components of the charging dock.
- Do not use a power cable other than the one supplied with the robot. Also, only use the power cable where the country label of your country of residence is affixed.
- Do not connect to any battery other than the supplied battery.
- Make sure not to cover the Charging Dock with fabric, etc. Maintain conditions that allow adequate heat dissipation, and do not use or leave near a source of heat, or where exposed to water or direct sunlight.
- Do not use in a location where vibration or impact is applied.
- Check that the supplied voltage is appropriate for the Charging Dock.
- Make sure that dirt or other foreign matter do not adhere to the Charging Dock.
- Do not use the Charging Dock or power cable if damaged.
- The Charging Dock is designed specifically for the robot. Use only the supplied designated power cable.
- Always unplug the Charging Dock from the outlet if not using it for a long time or when carrying out maintenance on it.

- If the Charging Dock is not operating normally, takes a longer time to recharge than normal, or if it produces sparks, smoke, odor, etc., immediately unplug it from the outlet, and contact customer support.
- Do not step on the power cable or otherwise subject it to excessive force when it is connected to the Charging Dock.
- If thunder is audible, unplug the Charging Dock from the outlet.
- The Charging Dock may get hot so take caution on handling during or right after charging.
- If the appliance is to be stored unused for a long period, the battery should be removed.
- The supply terminals are not to be short-circuited.

Caution

- Do not drop, step on, or place objects on the Charging Dock, regardless of if it is connected or not. Do not use it where it may be stepped on.
- Always hold the plug body and not the cord when unplugging the power plug.

5/ Disposal

This product is designed and manufactured from recycled materials and components of high quality.

Before disposing of the product, ensure that it is being disposed of in compliance with regional and municipal regulations as industrial waste. This can be done by contacting an industrial waste disposal operator and requesting their assistance in distinguishing it from general and business waste.

*If the product is being leased, it cannot be disposed of by yourself.



Contact customer support.

When disposing of the machine, please make sure to detach the battery from it and dispose of it appropriately in accordance with the waste disposal regulations specific to your residential region.

目次

日本語

製品情報	17
各部の名称	17
本体仕様	18
清掃モード	19
パッケージ内物品一覧	20
日常メンテナンス	21
安全上のご注意	25
安全上のご注意について	25
図記号の意味	25
取り扱い/充電/保管環境についてのご注意	16
本製品の操作上の注意点	27
バッテリーおよび充電スタンドの 取り扱いに関する注意事項	29

業務用全自動スピーディ床清掃・洗淨ロボットをお買い上げ頂 きまして、誠にありがとうございます。

本製品は日本国内および海外のオフィスビル、ショッピングモール、空港、駅、病院などで広くご使用いただいております。（各国・地域の対応機種は異なります。）各施設の清掃における負荷を軽減し、よりスマートな清掃体験をご提供できることを願っております。

本製品を正しくご使用いただけるように、ご使用する前に、本書をよくお読みの上、随時ご確認いただけるように、大切に保管してください。

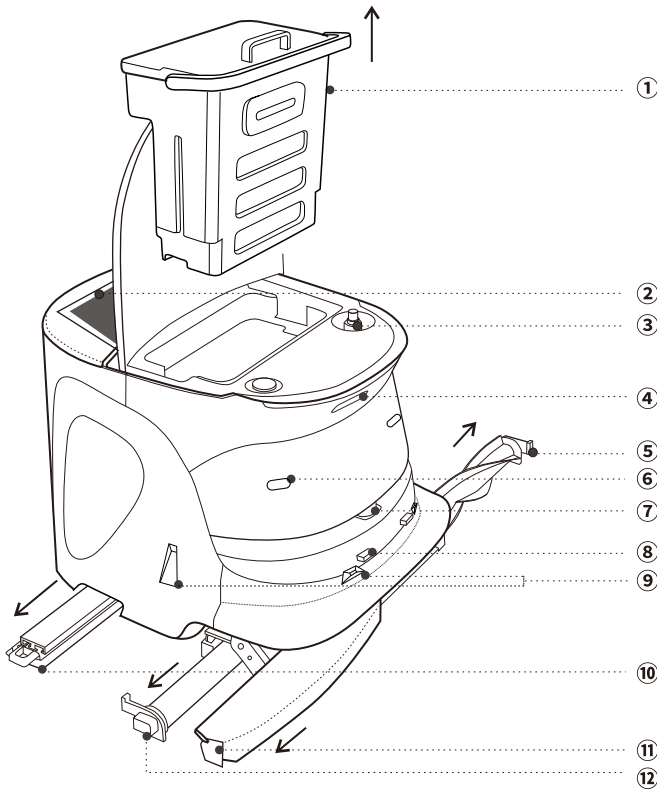
ご使用中に何か問題が発生した場合は、直ちにご使用を中止し、お気軽に当社のアフターサービスまでお問い合わせください。専門のスタッフが解答いたします。

本資料中の画像、略図などは参考のみとしてご利用ください。ソフトウェア、ハードウェアはバージョンにより異なる場合がありますので、実際にお受け取りになった製品のバージョンに準じます。

ご不明な点は、お気軽に当社にお問い合わせください。

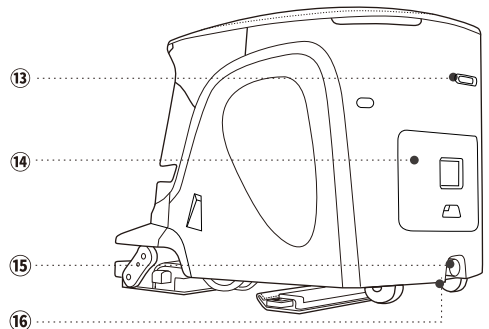
1/製品情報

1-1 各部の名称



- 汚水タンク ①
- タッチパネル ②
- 注水口 ③
- デプスカメラ ④
- 床掃きブラシ ⑤
- 超音波センサ ⑥
- LiDARセンサ ⑦
- 充電端子 ⑧
- レーザーラインセンサ ⑨
- ダストモップ ⑩
- ダストトレイ ⑪
- 床洗浄ブラシ ⑫

- ⑬ SIM&メモリカードスロット
- ⑭ メンテナンスパネル
- ⑮ 緊急停止ボタン
- ⑯ 電源スイッチ



1-2 本体仕様

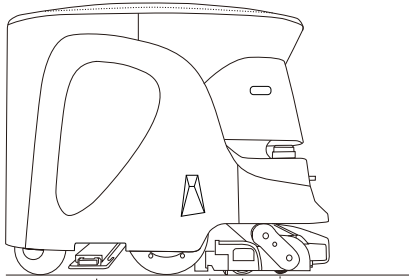
モデル名		全自動スピーディ床清掃・洗浄ロボット
寸法		650 mm*580 mm*550 mm (L*W*H)
質量		70kg
型式		自動ルート計画型
清掃システム	清掃モード	床洗浄・カラ拭き・掃き掃除&吸塵・掃き掃除&カラ拭き ^[1] ・掃き掃除&吸塵&カラ拭き ^[1]
	清掃効率	1200m ² /h (床洗浄) ・ 1800m ² /h (カラ拭き)
	吸引力	15 KPa
	洗浄幅	520mm (床洗浄) ・ 580mm (カラ拭き)
	運行時必要最小片側面幅 ^[2]	10cm
	発進時必要最小片側面幅	2m
	清水タンク容量	22L
	汚水タンク容量	15L
外部	外部材質	PC+ABS
	色	シルバー・ブラック
	防水規格	IP43
コントロール・パネル	画面サイズ	10.1inch
	解像度	1920*1200
無線通信	4G	LTE cat4
	WiFi	802.11b/g/n/ac
走行システム	登坂能力	8°
	通過可能幅 ^[2]	最小通過可能幅800mm
	平均速度	0.8m/s
	最大速度	1.2m/s
	対応可能床材(Use Scene)	タイル、木質床、大理石、エポキシ床、ショートヘアカーペット (<5.5mm) 等
HEPA	HEPAフィルター性能	H13 (99.7%)
動力	内蔵バッテリー	定格25.6V
		4時間 (床洗浄) ・ 8時間 (カラ拭き)
	充電器	本体前面の充電端子から充電スタンドに接触し充電する。自動で充電スタンドに戻る
		110~240V AC
		充電時間
清掃時騒音値	60dB (床洗浄) ・ 45dB (カラ拭き)	
LiDARセンサ	計測可能距離	0.05~30m
清掃ルート計画	清掃ルートコース	弓の字型・回の字型
	動作モード	自動巡回
	障害物回避機能	360°立体障害物回避。 検知可能範囲：0.02~30m。
作業可能環境		温度0~40°、湿度5~85%RH

[1]：この機能は、将来のOTAアップデートで実装されます。

[2]：実際の運行可能時間はご使用の環境および運行モードによります。

1-3 清掃モード

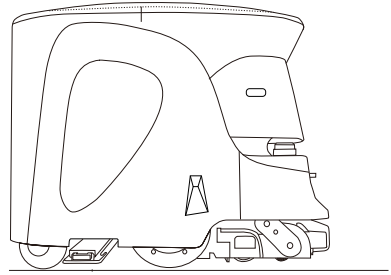
1.床洗浄（スクラブ）



① ② ③ ④

①ダストモップ、②ファン、③床洗浄ブラシ、
④床掃きブラシが同時に作動し、床への洗浄
噴水も行われる。

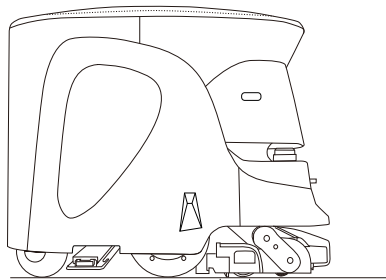
2.カラ拭き（ダストモップ）



⑤

⑤ダストモップが作動する。

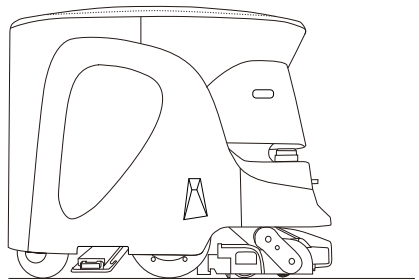
3.掃き掃除&吸塵



⑥ ⑦ ⑧

⑥ファン、⑦床洗浄ブラシ、
⑧床掃きブラシが作動する。

4.掃き掃除&カラ拭き&吸塵

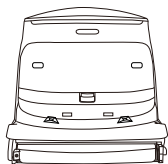


⑨ ⑩ ⑪

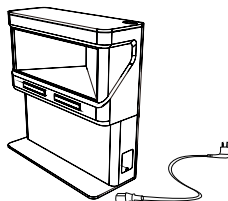
⑨ダストモップ、⑩ファン、
⑪床掃きブラシが同時に作動し。

2/パッケージ内物品一覧

業務用清掃ロボット*1



充電スタンド*1



ダストトレイ*1



床掃きブラシ*1



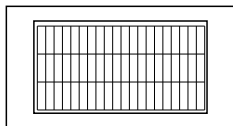
床洗浄ブラシ*1



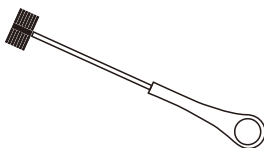
ダストモップ*5



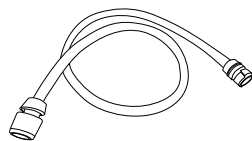
HEPAフィルター*2



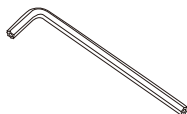
お手入れブラシ*2



注水チューブ*1



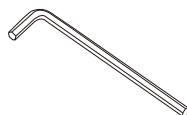
六角棒レンチ*1



両端穴付き六角棒レンチ*5



六角穴付きねじ*1



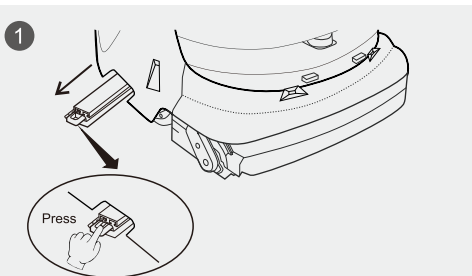
パッケージに含まれる付属品は地域や注文によって異なる場合がありますので、実際の状況を参照してください。

3/日常メンテナンス

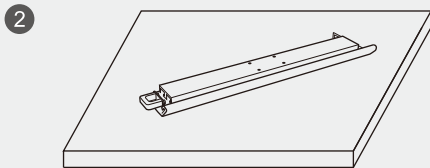
定期的なメンテナンス作業を行う前に、必ずクリーニング機構を下げてください。

1. ダストモップ

清掃頻度に応じて交換してください。平均1回の「カラ拭き」タスク（500m²）ごとに、1回のダストモップの交換が必要になります。

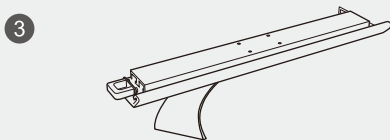


ダストモップのパーツを本体から取り外してください。



ダストモップのパーツを取り替え作業が可能な場所にお持ちください。

注意点：ダストモップに付着のほこりが地面にこぼれ落ちないように、清掃用具室などでダストモップを取り替えてください。



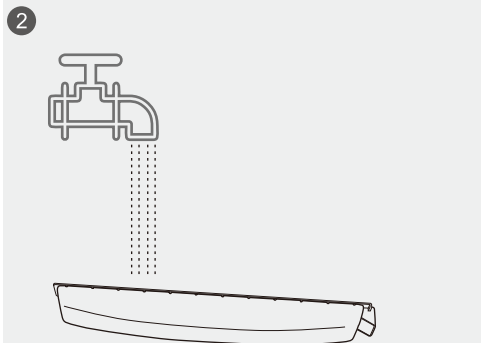
古いダストモップをパーツからはがして、新しいダストモップにつけ替えてください。

2. ダストトレイ

床の汚れ具合に応じて、定期的にしてください。

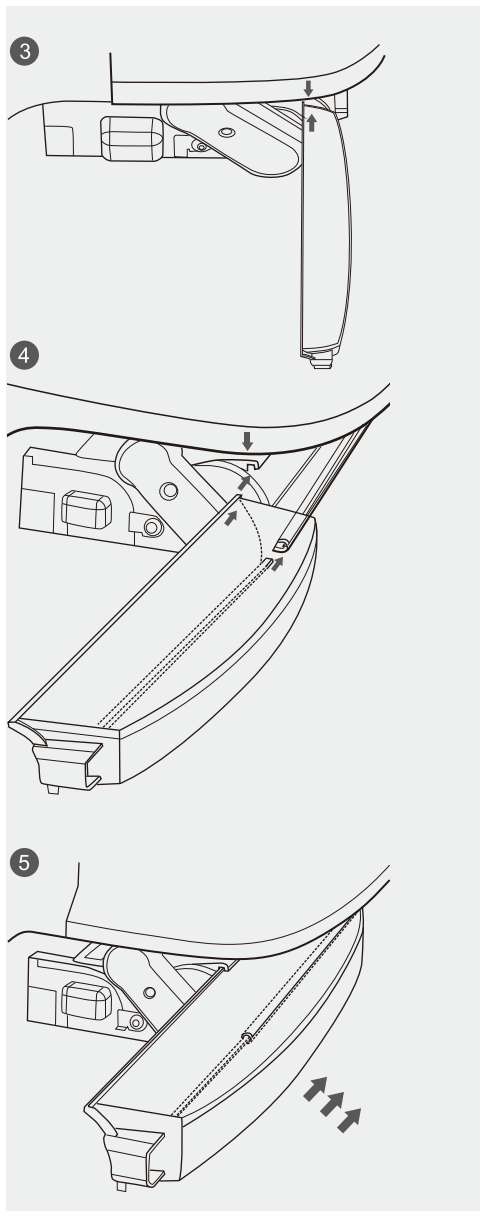


ダストトレイ内のゴミをゴミ袋やゴミ箱に振り落してください。



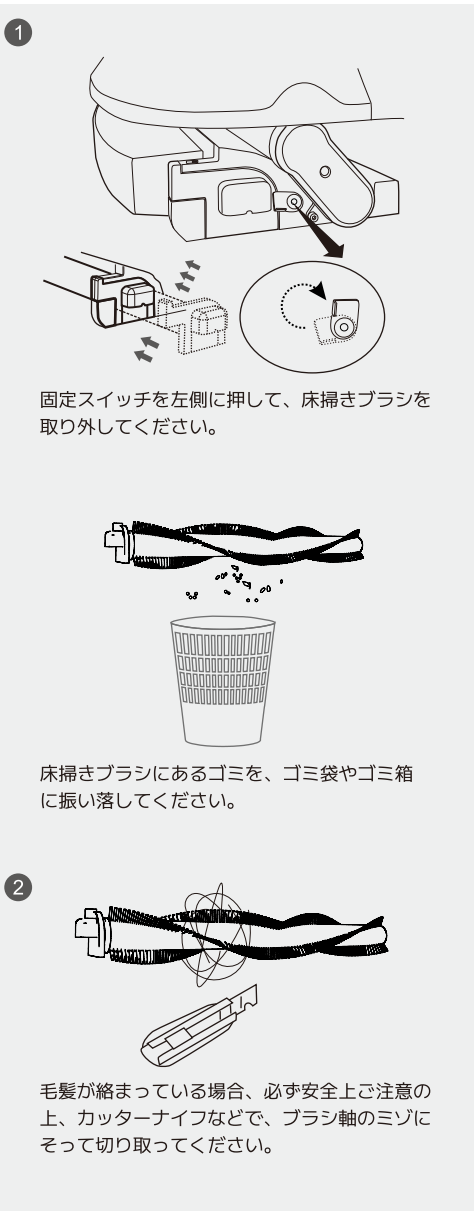
ダストトレイを水で洗い流して、乾いた後に本体に取り付けてください。

ダストボックスを取り付けるには、以下の写真の手順に従ってください。取り付けがスムーズでなかったり、引っかかったりした場合は、ダストボックスの破損を避けるため、乱暴に力任せに取り付けないようご注意ください。



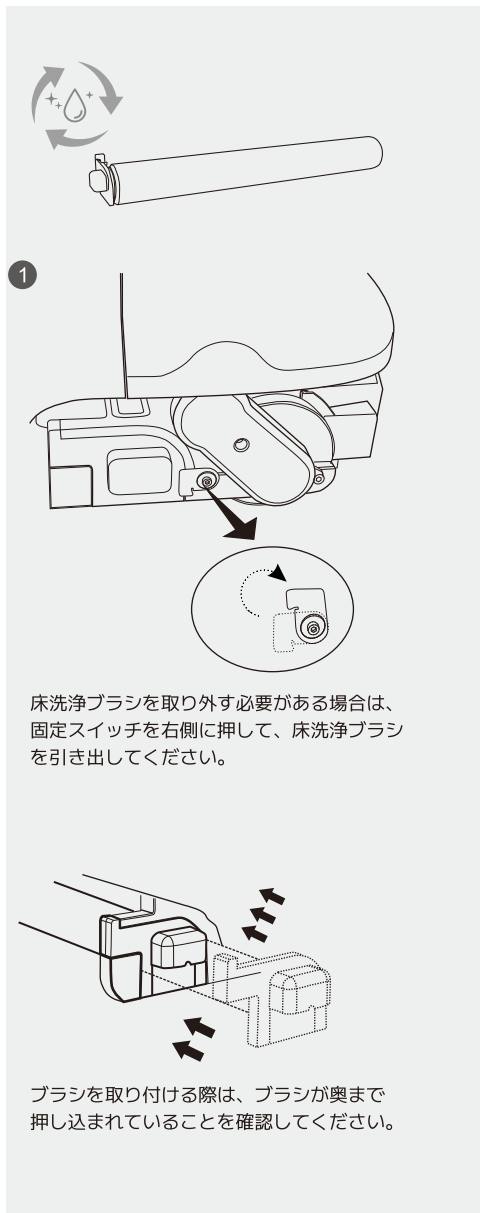
3. 床掃きブラシ

「床洗浄」・「掃き掃除&カラ拭き」モードを使用後にメンテナンスしてください。主に床掃きブラシに残ったゴミを取り除いてください。



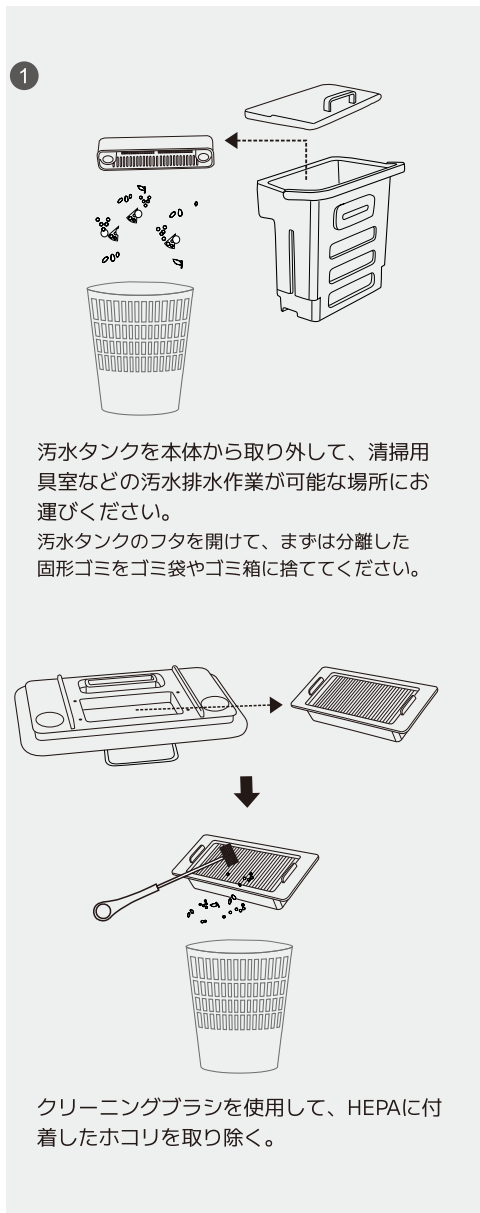
4. 床洗浄ブラシ

床洗浄ブラシにはセルフクリーニング機能が付いているので、お手入れは不要です。

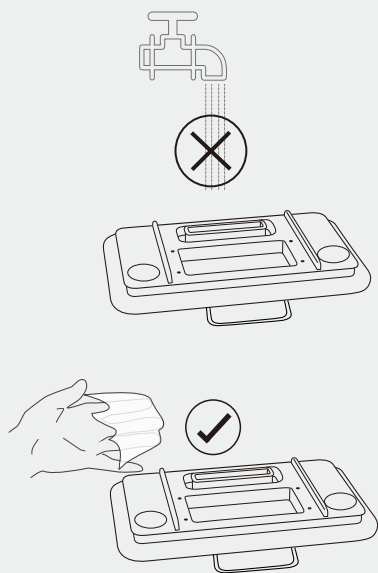


5. 汚水タンク

「床洗浄」モードを使用後にメンテナンスしてください。「床洗浄」作業を連続2～3時間実施する毎に、1回汚水を捨ててください。

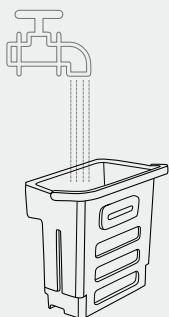


2

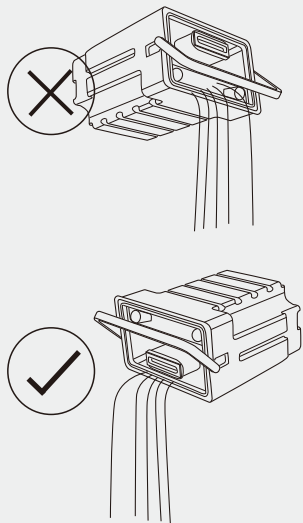


汚水バケツの蓋は水ですすぐことができるが、すすいだ後は水分を拭き取るか、乾燥させておかなければならない。

3



汚水を捨てて、汚水タンクの内壁を水で洗い流してください。



汚水バケツは上図の方向に捨ててください。
逆方向に捨てると、通気口から汚水がこぼれます。

4/安全上のご注意

4-1 安全上のご注意について

本製品の操作または修理を行う前に、以下の安全上のご注意および説明をよくお読みください。

こちらに記載されているご注意は、本製品の誤った取り扱いがユーザーや他者に重大な傷害や財産損失をもたらすことを未然に防止するため、必ず守る必要があることを説明しています。誤った取り扱いによる危害や損害については、補償いたしかねます。

本書では、安全上のご注意、正しい操作手順、および本体、バッテリー、バッテリー充電器に関連するその他の管理情報について詳しく説明しています。本書に記載されているご注意は、起こり得るすべての状況をカバーするものではないことに注意してください。

したがって、どのような状況下でも、歩行者と周囲の人々の安全を最優先にし、常に高度な警戒心を保つ必要があります。安全を確保するために、操作者は本製品の設置、メンテナンス、使用に関するご注意を常に遵守し、本書をお気軽に確認できる場所に、大切に保管する必要があります。

作業が正常に行われるよう、作業者が置かれている環境に応じて、適切な健康および安全上のリスク対策をとることを強く推奨します。以下の緊急状況が発生した場合は、ただちに緊急停止ボタンを押し、主電源スイッチを切る必要があります：

- 本製品が危険な状態にある（例：煙を出している、操作不能、転倒など）。
- 本製品が周囲の人々や物に対して危害を及ぼそうとしている。
- 本製品の動作（行動）が予測不可能であるか、本書と一致していない。

4-2 図記号の意味

以下の説明を理解するために、この取扱説明書で使用されている以下の記号と例を先に理解してください：

危険：「人々に死亡または重傷を負わせる可能性が非常に高い内容」を示します。

警告：「人々に死亡または重傷を負わせる可能性がある内容」を示します。

注意：「人々に軽傷を負わせたり、財産を損失させる可能性がある内容」を示します。

重要事項：「財産の損失や設備の損害をさせる可能性がある内容」を示します。

本製品と取扱説明書に記載されているすべてのご注意事項と説明を遵守して操作してください。

▲ 危険

▲ 警告

▲ 注意

重要事項

4-3 取り扱い/充電/保管環境についてのご注意

本製品は室内環境用の業務用床洗浄ロボットです。
以下の説明をよくお読みの上、遵守して本製品を使用してください。

警告

- 寒い屋外環境から暖かい屋内環境への移動など、急激な温度変化の直後には本製品を使用しないでください。
- 大量のほこり、湿気、雨、磁場に近い環境では本製品を使用しないでください。
- 雷雨や雷の天気には本製品を使用しないでください。
- 燃えやすい、爆発しやすい、熱源に近い環境では本製品を使用しないでください。

注意

- 本製品を直射日光の当たる場所に長時間置かないでください。
- ガラスのドアやガラスの壁、ガラスの床で囲まれた場所で本製品を使わないでください。
- 狭い空間での本製品の使用を避けてください（高さ0.6~0.8mの椅子やテーブルは本製品が自動的に回避できます）。
- 高さが低い物体や装飾品がある場所では本製品の使用を避けてください（物体や装飾品は本製品の高さより500mm以上高くなければなりません）。
- ケーブルやホースがゆるい場所での本製品の使用を避けてください。
- 階段や段差がある場所、高低差が5cmを超える場所での本製品の使用は避けてください。
- 狭すぎる一方通行の通路での使用を避けてください。
- 本製品発進時に障害物に接近しすぎないようにご注意ください（半径2mの移動スペース確保を推奨します）。
- 人通りが多い時間帯は本製品の使用を避けてください。
- 本製品は、エポキシ舗装、タイル、大理石、木質などの硬質な床材を清掃するのに適しています。
- 本製品は、粒子状物質や粉塵などのゴミの清掃には適していません。2cm以上のゴミ、細くて柔らかい水道ホースやゆるい電線など、これらのタイプのゴミを無理に掃除すると、機械が破損します。

重要事項

- 本製品は温度5°C~40°Cの範囲内で使用し、機器とその付属品は温度0°C~50°Cの範囲内で保管してください。

- 本製品の運行エリアの床は堅固で、滑らかで、平らでなければなりません。カーペットや、軟らかく、溝のある床、屋外などでの使用は推奨されません。これにより、本製品の性能が低下する可能性や、本製品が転倒する危険性が生じる可能性があります。
- 本製品は自動的に移動し、様々な動作を行うことができますので、以下に特にご注意ください：傾斜のある地面では移動させないでください、本製品の不測の転倒や制御不能な運行による人の傷害や、本製品の損傷、設備、施設、物品の損傷を防止するために、傾斜のある道路で移動する場合は、専任の管理者が必要です。
- 階段や段差のある位置に注意してください。転倒や転落を防止するために、本製品がそのようなエリアで動作しないようにしてください。
- 全面ガラス張りのドアや、全面ガラス張りの壁には、床面から22cm–25cmの間に必ず安全視認マークを貼り付けてください。人（特に子供）は、本製品から安全な距離（本製品から1m離れた距離）を保ち、本製品の動作による人のけがや本製品の損傷を防ぐようにしなければなりません。本製品に十分な移動空間を与え、周囲の物体と衝突して本製品や周囲の物体を損傷させないようにしてください。

4-4 本製品の操作上の注意点



警告

- 液体や異物を本製品の充電端子に触れさせないでください。
- LiDARセンサ、デプスカメラ、その他のセンサにホコリが付着しないように注意してください。本製品のセンサを隠さないでください。
- 自動清掃モードを使用している場合は、操作者がアプリケーションで受信したアラートまたは通知に瞬時に応答できることを確認してください。
- 本製品の使用時は、車輪が常に地面に接していることを確認してください。
- 電源が入っていないために本製品が操作できない、または移動できないエリアでは、通路を塞いだりしないよう、本製品を壁際などより安全な位置に移動させてください。
- 本書に記載されていない取り扱い方をしないでください。
- 本製品に付属の充電器のみを用いて本製品のバッテリーを充電してください。
- 本製品の動作や非常停止ボタンの邪魔になるような装飾品を置かないでください。
- 床掃きブラシ、床洗浄ブラシ、ダストモップを交換する場合や、ダストトレイを掃除する場合は、まず本体前面下部の昇降可能なセクション一式である清掃モジュールを下げたから作業を行ってください。
- 清掃作業を開始する前に、HEPAフィルターが正しく取り付けられていることを確認し、ほこりによる機内の汚染や損傷を防止してください。

- 高圧洗浄機を使用して本製品を洗浄しないでください。
- 危険な廃棄物や爆発物の収集に本製品を使用しないでください。
- 本製品を床から持ち上げるときは、必ず2人で同時に持ち上げてください。
- 本製品の動作中は、乳幼児、子ども、ペットを本製品に近づけたり、足や手を本製品の底部に近づけたりしないでください。乳幼児や子ども、ペットが本製品に触れないように注意してください。
- タンクに水がある場合は、本製品を傾けたり運んだりしないでください。
- 損傷の原因となる可能性があるため、タッチパネルや本製品の表面に過度の圧力をかけないでください。
- 本製品を倒すこと、落下させること、燃焼させること、曲げること、マイク口波を当てること、突くこと、切ること、圧縮すること、塗装することがないようにしてください。
- 転倒、怪我、損傷を避けるため、傾斜があるところで本製品を動かさないでください。

注意

- 本製品は屋内でのみ使用可能です。
- 本製品は室内でのみ保管することができます。
- 本製品の持ち上げや長距離移動はシャットダウン状態で行う必要があります。急停止状態で本製品を移動すると本製品の位置情報が失われます。タスクを再開する前に、補助位置情報機能を使用して位置情報を再設定する必要があります。
- 本製品を取り外さないでください。権限のあるプロフェッショナルのみが取り外しを行うことができます。
- 清掃モジュールにゴミが詰まったり、絡みついたりする場合は、必ずプロフェッショナルの指導の下で清掃作業を行ってください。清掃モジュールを無理に引っ張ったりして壊さないようにしてください。
- 製品の安定性と安全性を確保するために、認定された付属品、消耗品のみを使用してください。
- 本製品は、身体障害者、知的障害者、子供、または経験と知識のない操作者による使用には適していません。
- 本製品が転倒した場合は、非常停止ボタンを押してから、本製品の主電源スイッチをオフにしてください。
- 本製品内に何も挿入しないでください。
- 注水チューブを使用して清水タンクに注水する場合は、必要な水圧が0.05MPa（最小）から0.8MPa（最大）であることに注意してください。
- 60°C以下の室温の水やぬるま湯を使用して洗浄してください。

- 本製品が正常に動作しない場合（異常音、臭い、煙の発生など）は、ただちに非常停止ボタンを押して本製品の動作を停止させ、主電源の電源スイッチをオフにしてカスタマーサポートに連絡してください。

4-5 バッテリーおよび充電スタンドの取り扱いに関する注意事項

危険

- 充電スタンドを使用する前に、本書の内容を十分に理解し、適切に操作してください。
- 適切に接地された電源装置を使用してください。電源装置は、地域の規制および本書に準拠してください。正しい電源装置を使用しないと、人が感電したり、本製品が損傷したりする可能性があります
- バッテリーの近くでの喫煙や、火災や火花の原因となる物をバッテリーの近くに置くことがないようにしてください。
- 充電端子をほかの金属などと接続しないでください。
- バッテリーへの不適切な操作により、バッテリーの爆発、発火、液漏れによる腐食などの事故が発生することがあります。バッテリーや充電スタンドから液体が漏れている場合は、素手で触れないでください。
- 本製品の充電中に人が触ったり、操作したりすることを禁止します。
- 充電スタンドを落下させたり、充電スタンドにぶつかったりしないでください。

警告

- 充電スタンドの配置場所の地面は平らで、凹凸や斜面がないように確保しなければなりません。
- 充電スタンドの設置場所が暗く湿った場所でないことを確認してください。過度に湿った環境では、充電スタンド内部の回路や電子部品が破損する可能性があります。
- 本製品に付属した純正品のAC電源コードと充電スタンドを使用して本製品を充電してください。
- 充電スタンドを使用して他の機器を充電しないでください。
- 充電スタンドを布などで覆わないようにし、十分に放熱できる状態を維持してください。熱源の近くでの使用や設置を避け、直射日光が当たることも避けてください。
- 供給された電圧が充電スタンドに適しているかを確認してください。
- 充電スタンドに異物が付着していないことを確認してください。

- 充電スタンドまたは電源コードが破損している場合は使用しないでください。
- 長期間使用しない場合やメンテナンスを行う場合は、必ずコンセントから充電スタンドのプラグを外してください。
- 充電スタンドが正常に機能していない場合、通常よりも充電時間が長くなる場合、火花、煙、異臭などが発生する場合は、ただちに安全にご注意の上、コンセントからプラグを外し、カスタマーサポートに連絡してください。
- 電源コードが充電スタンドに接続されているときは、電源コードを踏みつけたり、電源コードに過度の力を加えたりしないでください。
- 雷の予報がある日は予めコンセントから充電スタンドを外してください。
- 雷が鳴りだしたら、安全にご注意の上、コンセントから充電スタンドを外してください。
- 充電スタンドは発熱する場合がありますので、充電中や充電後の取り扱いには注意してください。
- 長期間本製品を使用しない場合は、バッテリーが常に最適な活性状態になるように、15日に1回程度充電することをお勧めします。

注意

- 充電スタンドは背面全体が壁に固定されるよう設置し、半径2メートルに物を置かない空間を確保して設置する必要があります。
- 接続状態・非接続状態を問わず、充電スタンドを落下させたり、踏みつけたり、充電スタンドの上に物を置かないでください。踏まれる可能性のある場所に充電スタンドを設置しないでください。
- 電源プラグを取り外すときは、必ず電源コードではなく、プラグ本体を持って引き抜いてください。充電スタンドの電源を、電源コードを引っ張る方法で抜かないでください。

目录

欢迎使用	31
产品概览	32
产品部件	32
产品参数	33
清洁模式	34
开箱介绍	35
日常维护	36
安全须知	40
关于安全须知	40
警示符号与意义	40
使用环境注意事项	41
机器人的操作注意事项	42
电池及充电桩的操作注意事项	43

欢迎使用!

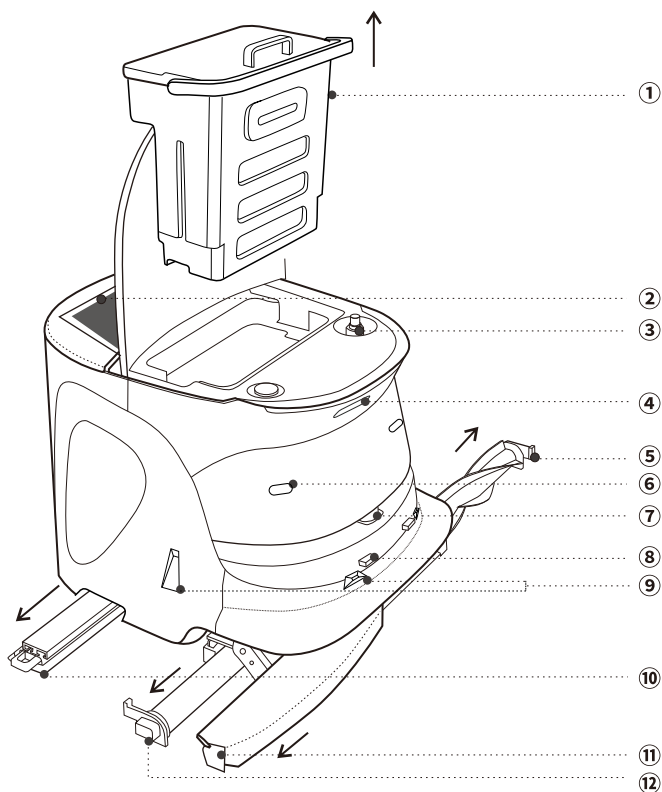
感谢您选择全能速净智能商用清洁机器人。目前机器人已广泛应用于海外及国内写字楼、商场、机场、车站、医院等场所，希望它的到来能为您带来更多帮助和更智能化的体验。为了您能够正确快捷地使用机器人，请务必在使用机器人之前，仔细地阅读此文档，并妥善保管以备必要时参照查阅。

如您在使用中如遇任何问题，请及时联系我们的售后客服，将有专业人员为您进行解答。本资料中的图片、示意图等仅供参考。由于软、硬件版本的原因，请以实际接收版本为准，如有疑问，请随时联系我司。

感谢您的支持和理解!

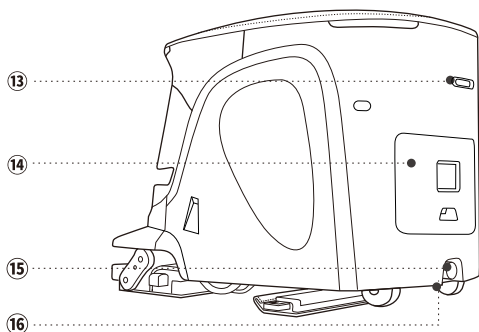
1/ 产品概览

1-1 产品部件



- 污水箱 ①
- 触控屏 ②
- 注水口 ③
- 深度相机 ④
- 扫地刷 ⑤
- 超声波 ⑥
- 激光雷达 ⑦
- 充电极片 ⑧
- 线激光 ⑨
- 尘推布 ⑩
- 尘盒 ⑪
- 洗地刷 ⑫

- ⑬ 物联网&存储卡卡槽
- ⑭ 维修口
- ⑮ 急停按钮
- ⑯ 电源开关

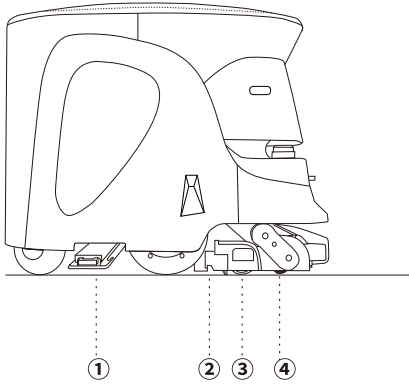


1-2 产品参数		
型号		全能速净智能清洁机器人
尺寸		650mm*580mm*550mm (L*W*H)
重量		70kg
设备模式		自动规划型
清洁系统	清洁模式	洗地、尘推、扫吸、扫推 ^[1] 、扫吸推 ^[1]
	清洁效率	洗地:1200m ² /h 尘推:1800m ² /h
	吸力	15Kpa
	有效清洗宽度	洗地:520mm 尘推:580mm
	启动时最小宽度	2000mm
	贴边宽度 ^[2]	10cm
	清水箱容量	22L
	污水箱容量	15L
外观材质	材质	PC+ABS
	颜色	银黑色
	防水等级	IP43
内嵌平板	屏幕尺寸	10.1英寸
	分辨率	1920*1200
无线通信	4G	LTE cat4
	WiFi	802.11b/g/n/ac
行驶系统	爬坡能力	8°
	通过宽度 ^[2]	最小通过宽度800mm
	平均速度	0.8m/s
	最大速度	1.2m/s
	使用场景	瓷砖、木质地面、大理石、环氧地坪、短毛地毯(<5.5mm)等
HEPA	HEPA	H13 (99.97%)
动力系统	电池	额定电压25.6V
		洗地:4小时 尘推:8小时
	充电器	正面接触充电极片, 自动回充
		110-240V AC
充电时间	2-3小时	
工作噪音	洗地:60 dB 尘推:45 dB	
激光雷达	测量距离	0.05 ~ 30m
路径规划	清洁路线	弓字/回型
	工作模式	自动巡航
	避障功能	360°立体避障。感知范围:0.02-30m
工作环境		温度0~40°, 湿度5%~85%RH 正常运行

[1]此功能后续在OTA中实现。 [2]实际运行参数取决于客户实际环境和工作模式。

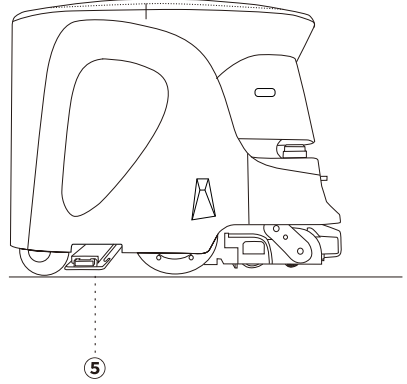
1-3 清洁模式

1. 洗地



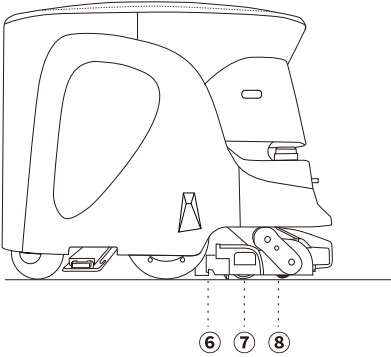
①尘推布、②风机、③洗地刷、④扫地刷同时开始工作,并进行注水

2. 尘推



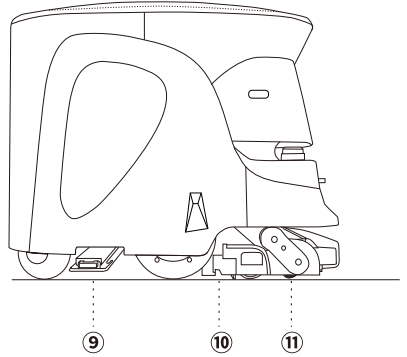
⑤尘推布开始工作

3. 扫吸



⑥风机、⑦洗地刷、⑧扫地刷开始工作

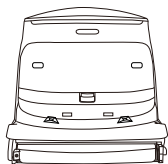
4. 扫吸推



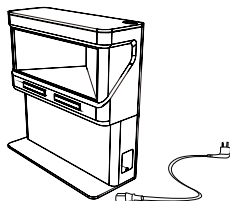
⑨尘推布、⑩风机、⑪扫地刷开始工作

2/ 开箱介绍

商用清洁机器人*1



充电桩*1



尘盒*1



扫地刷*1



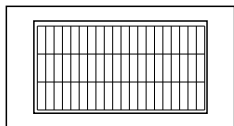
洗地刷*1



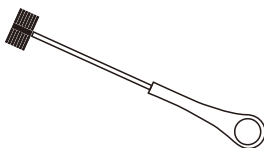
尘推布*5



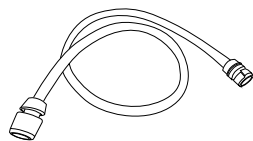
HEPA滤芯*2



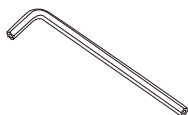
清洁刷*2



注水管*1



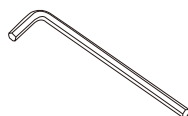
梅花扳手*1



梅花螺丝钉 *5



内六角扳手*1



包装内含配件根据地区、订单而有所不同, 请以实际为准。

3/日常维护

请确保降下清洁机构后进行日常维护操作。

1. 尘推布

根据清洁频率更换,平均每执行1次尘推任务(500m²)需要更换一次尘推布。

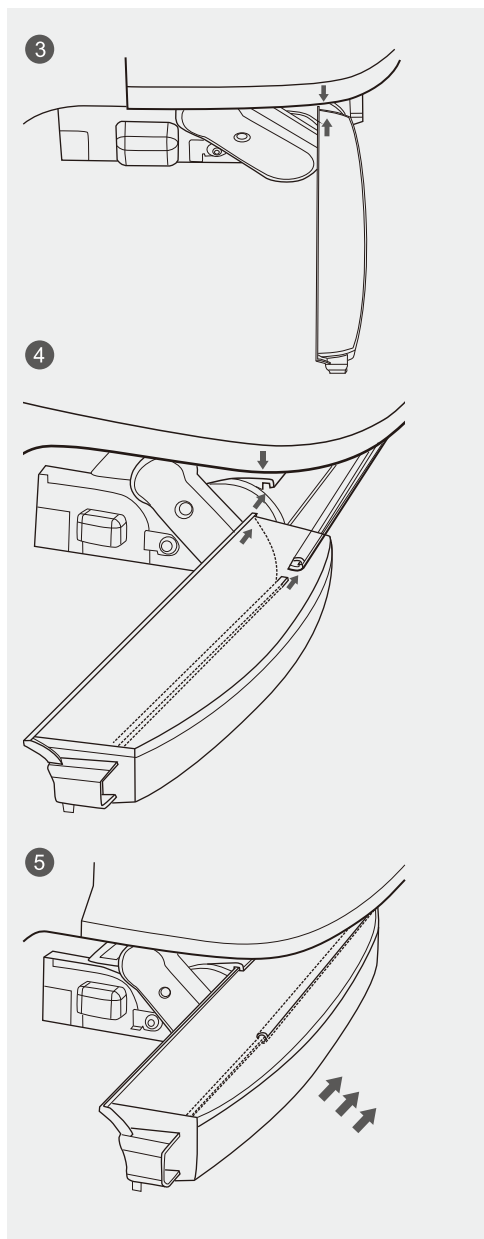


2. 尘盒

根据地面脏污程度,定期维护。



请按照下图的步骤安装尘盒。
请注意，安装过程中如有不顺畅、卡住的情况，不能暴力强硬安装尘盒，以免造成损坏。



3. 扫地刷

在启用洗地、扫推模式后维护，主要清理刷毛残留的垃圾。



4. 洗地刷

洗地刷带有自清洁功能, 无需做清洁维护。

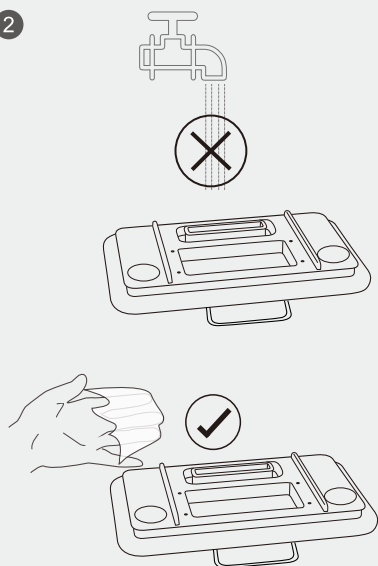


5. 污水箱

在启用洗地模式后维护, 机器在洗地模式下连续工作2-3小时后清理一次。



2

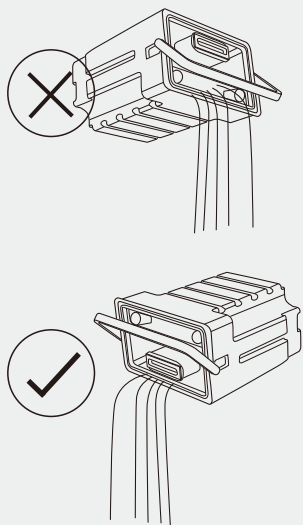


污水桶盖可用水冲洗，冲洗完后必须擦干或晾干。

3



倒掉污水，并用水冲洗污水桶内壁



请按照上图所示方向倾倒污水桶。
反方向倾倒会导致污水从风口处溅出。

4/安全须知

4-1 关于安全须知

尝试操作本设备或执行任何维修前, 请仔细阅读下述安全警告和说明。

此处提供的警告旨在提醒用户, 不正确使用本产品可能对用户和他人造成严重伤害和财产损失。本手册详细说明了安全警告、正确的操作流程以及与机器、电池和电池充电器相关的其他监管信息, 以确保使用者的安全和合规性。请注意, 本手册中提供的警告并不能涵盖所有可能发生的情况。因此, 在任何情况下, 都必须将行人和周围人员的安全放在首位, 保持高度警觉。为了确保安全, 操作者应始终遵守有关机器安装、维护和使用的警告, 并将本手册存放在便于随时查阅的位置。强烈建议操作者根据其所处环境采取适当的健康和预防保护措施, 以确保操作的正常进行。

遇到下列紧急情况时, 应立即按下急停按钮并关闭主电源开关:

- 机器处于危险状态 (例如: 冒烟、无法操作、翻倒等)。
- 机器即将对周围的人或物造成伤害。
- 机器运行 (行为) 不可预测, 或者运行方式与本手册不一致。

4-2 警示符号与意义

为确保您能理解全部说明, 请先了解本使用说明书中使用的以下符号和惯例:

危险: 表示“极有可能造成人员死亡或负重伤的内容”。

警告: 表示“有可能造成人员死亡或负重伤的内容”。

注意: 表示“有可能造成人员负轻伤或财产损失的内容”。

重要事项: 表示“可能导致财产损失或损坏设备的潜在危险情况”

请遵循本设备及说明书上标注的所有警告事项与说明进行操作。

 危险

 警告

 注意

重要事项

4-3 使用环境注意事项

此机器人设备是一款适用于室内环境的商用清洁机器人。请仔细阅读并遵循以下说明。

警告

- 请勿在极端温度变化后立即使用机器人(例如从寒冷的室外环境移动到温暖的室内环境)。
- 请勿在灰尘过多、潮湿、雨水、灰尘或靠近磁场的环境中使用机器人。
- 请勿在雷雨天或雷电天气使用机器人。
- 请勿在易燃、易爆、靠近热源的环境中使用机器人。

注意

- 避免将机器人长时间暴露在阳光直射的地方。
- 避免在有玻璃门、玻璃墙、玻璃地板包围的地方使用机器人。
- 避免在狭窄的空间内使用机器人(机器人能够自动避开高度为0.6~0.8m的椅子和桌子)。
- 避免在有低垂物体或装饰品的地方使用机器人(物体或装饰品应高于机器人高度>500mm)。
- 避免在有松散的电缆及软管的地方使用机器人。
- 避免在有楼梯、台阶或高差>5cm的地方使用机器人。
- 避免过窄的单行通道运行。
- 避免机器人离障碍物过近距离启动(建议半径2m内保持空旷)。
- 避免在繁忙时间使用机器人。
- 此清洁机器人适用于清洁以下地面材质:环氧地坪、瓷砖、大理石、木地板等硬质地面。
- 此清洁机器人不适用于清理以下垃圾类型:微小颗粒物与细小粉尘;高于2cm的垃圾;细软水管或松散的电线等。强行清洁以上类型垃圾会对机器造成损坏。

重要事项

- 请在温度5°C~40°C范围内使用机器人,并在温度0°C~50°C范围内存放设备及其配件。
- 机器人运行区域地面应坚实、光滑、平整,不建议在地毯、松软及有沟坎的地面、室外等地使用,这样会降低机器人的性能或发生机器人摔倒的危险。

- 由于机器人可以自主移动和完成各种动作，请特别注意：不要在有坡度的地面上移动，以防止机器人意外倾倒或非受控运行造成的人员伤害、机器人损坏及设备、设施、物品的损坏，若在坡度的道路移动，需要有专人看护。
- 请注意有阶梯或有台阶位置，避免机器人在此区域范围移动，以防摔倒，跌落。
- 在全玻璃门、全玻璃墙时请务必在注意在玻璃距地面22cm-25cm之间位置粘贴安全可识觉标识。人员（特别是儿童）应与机器人保持安全距离（距离机器人1米以上），防止由于机器人的运行造成的人员伤害或机器人损坏。要给机器人提供充足的运动空间，以防止与周围物体产生碰撞，损坏机器人或周围物体。

4-4 机器人的操作注意事项



- 请勿让液体或任何异物接触机器人的充电金属片。
- 请注意不要让灰尘附着在激光雷达传感器、深度相机或其他传感器上。请勿遮盖机器人的传感器。
- 使用自动清洁模式时，请确保操作员能够及时对应用程序上收到的警报或通知作出响应。
- 使用机器人时，确保其轮子始终与地面接触。
- 在机器人因未通电而无法操作或无法移动的区域，请将机器人移至更安全的位置。
- 请勿进行任何本手册上未说明的违例操作。
- 仅使用机器人附带的电池充电器为机器人电池充电。
- 请勿放置任何可能妨碍机器人运行或紧急停止按钮的装饰物。
- 更换扫地刷、洗地刷、尘推布，或清倒尘盒时，请先降下清洁机构后进行操作。
- 启动清洁任务前请确保HEPA滤芯已正确安装，避免机器内部进尘污染与损坏。
- 请勿使用高压清洗机清洁机器人。
- 请勿使用机器人收集危险或爆炸性废物。
- 将机器人从地板上抬起时，请务必由两个人同时操作。
- 机器人运行时，请勿让婴儿、儿童、宠物靠近机器人，或将脚或手靠近机器人底部。请注意不要让婴儿、儿童或宠物接触机器人。
- 水箱中有水时请勿倾斜或移动机器人。
- 请勿对屏幕或机器人任何表面施加过大压力，以免造成损坏。
- 请勿跌落、坠落、压缩、弯曲、戳、切割、微波、燃烧或对机器人进行喷漆。
- 请勿在斜坡上移动机器人，以免绊倒并造成伤害或损坏。

注意

- 此清洁机器人仅供室内使用。
- 此清洁机器人只能存放在室内。
- 搬抬与长距离移动需在关机状态下操作，在急停状态下搬抬或挪动机器易导致机器丢失定位，重新启动任务前需使用辅助定位功能找回定位。
- 请勿尝试拆卸机器人。只有授权的专业人员才可以进行拆卸。
- 如清洁机构发生垃圾堵塞、缠绕等情况，请务必在专业人员的指引下进行清洁操作，切勿强行硬拉拽扯损坏清洁机构。
- 为确保产品的可靠性和安全性，请仅使用授权的配件。
- 本设备不适合身体不适、或智力有缺陷的人员（包括儿童），或缺乏经验和知识的操作人员使用。
- 如果机器人翻倒，请按下紧急停止按钮，然后关闭机器人主电源开关。
- 请勿将任何物体插入机器人内。
- 使用注水管给清水箱注水时，请注意水压要求为0.05MPa（最小）和0.8MPa（最大）。
- 使用不高于60°C的室温水进行清洁。
- 如果机器人运行不正常（异常声音、气味、声音、烟雾等），请立即按下紧急停止按钮，停止机器人运行，关闭主电源 电源开关，并联系客户支持。

4-5 电池及充电桩的操作注意事项

危险

- 在使用充电桩之前，请确保您完全理解本手册的内容，并正确操作。
- 请使用带有正确接地的、符合当地法规条例及本说明书要求的电源，否则将会导致人员触电及机器人损坏。
- 请勿在电池附近吸烟或在电池附近放置可能引起火焰或火花的物体。
- 请勿将充电接触片与其他金属物等连接。
- 对电池的不当操作会造成电池爆炸、起火、漏液腐蚀等事故。如果电池或充电桩有液体泄漏，请勿徒手触摸。
- 机器人在充电时禁止人员触摸、操作。
- 请勿摔落或撞击充电桩。

警告

- 确保充电桩的部署位置地面应该平整,没有凹凸不平或者斜坡。
- 确保充电桩的部署位置不能位于阴暗潮湿处,过于潮湿的环境可能会导致充电桩内部电路或者电子元器件的损坏。
- 请使用机器人配置的原厂AC电源线及充电桩为机器人充电。
- 请使用配套充电桩为机器人充电。
- 请勿使用充电桩为其他设备进行充电。
- 确保不要用织物等覆盖充电座,保持足够散热的条件。请勿在热源附近使用或放置,避免阳光直射。
- 检查所提供的电压是否适合充电桩。
- 确保充电桩上没有粘附异物或其他异物。
- 如果充电桩或电源线损坏,请勿使用。
- 如果长时间不使用或进行维护时,请务必从插座上拔下充电桩的插头。
- 如果充电桩工作不正常、充电时间比平时长、或者产生火花、冒烟、异味等,请立即从插座上拔下插头,并联系客户支持人员。
- 当电源线连接到充电桩时,请勿踩踏电源线或使其承受过大的力。
- 如果听到雷声,请从插座上拔下充电桩。
- 充电桩可能会发热,因此在充电期间或充电后处理时请小心。
- 如果长时间不使用机器人,建议您每15天左右充电一次,以便保证电池始终处于活性最佳状态。

注意

- 充电桩布置区域需靠墙,且半径2米内空旷。
- 无论充电桩是否连接,请勿掉落、踩踏或在充电桩上放置物体。请勿在可能被踩到的地方使用。
- 拔下电源插头时,请务必握住插头本体而不是电源线,请勿用拉电源线的方式拔出充电桩。